

COLORGLO™ POWER SUPPLY TRANSFORMERS

J&J ELECTRONICS, INC.

NEC COMPLIANT CLASS 2 POWER SUPPLIES FOR COLORGLO LOW VOLTAGE AC LIGHTING PRODUCTS

ColorGlo Series 2240, Series 101 and Series 601 power supplies are Class 2, UL listed transformers for use with 24 VAC Border Lighting, CoveBrite Lighting, Monochromatic Strip Fixtures and 12VAC Channel Letter Modules. The 101 and 601 series are suitable for dry locations. The 2240 series power supplies are housed in a NEMA 3R enclosure for indoor or outdoor installation.

(See table below for Input and Output Voltages).

2240 SERIES COLORGLO POWER SUPPLY

Suitable for damp or dry locations

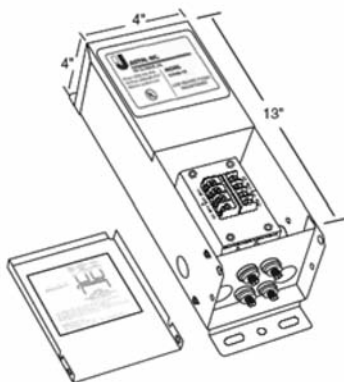
The 2240 series power supplies are a damp or dry location four circuit transformers with 12VAC or 24VAC output and a secondary (output) circuit protector for each output circuit. The 2240 series is UL 1585/UL1310 and operates either horizontally or vertically with flange type wall mounting brackets.

101 AND 601 SERIES COLORGLO POWER SUPPLY

Suitable for dry locations

The 101 and 601 series power supplies are single circuit transformers with 12VAC or 24VAC output and a secondary circuit protector. Input power wiring is via a standard conduit j-box nipple connector. The 101 and 601 series are UL 1585 for dry locations listed and operate either horizontally or vertically with flange type wall mounting brackets.

Part#	ColorGlo Product Description	Input	Output	Circuits
2240 Series				
C2240-12	Channel Letter Modules	120/240VAC	12VAC/240Watts	4 x 60Watts
C2240-24	Border Lighting CoveBrite Lighting Monochromatic Strip Fixtures	120/240VAC	24VAC/216Watts	3 x 72Watts
C2240-12-277	Channel Letter Modules	277VAC	12VAC/240Watts	4 x 60Watts
C2240-24-277	Border Lighting CoveBrite Lighting Monochromatic Strip Fixtures	277VAC	12VAC/216Watts	3 x 72Watts



Series 2240
Weight is 13 lbs (5.9 kg).

Note: The information presented here refers solely to the #2240 Series, #101 Series and the #601 Series of Power Supply Transformers, and only applies to their use for the following ColorGlo LED lighting products: Border Lighting, Channel Letter Modules, CoveBrite Lighting, and Monochromatic Strip Fixtures. For additional power supply information on these and other ColorGlo products, consult the ColorGlo website or contact your ColorGlo sales representative or authorized dealer.



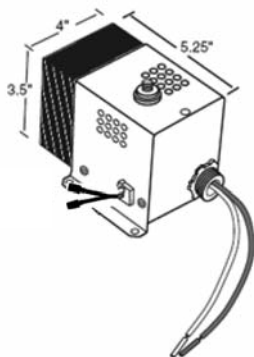
ColorGlo™

Manufactured by:  J&J Electronics • 800.735.4553 • 949.455.4460 • www.colorgloledlighting.com

COLORGLO™ POWER SUPPLY TRANSFORMERS

J & J ELECTRONICS, INC.

Part#	ColorGlo Product Description	Input	Output	Circuits
101 Series				
101-24-120	Border Lighting CoveBrite Lighting Monochromatic Strip Fixtures	120VAC	24VAC/100Watts	1 x 100Watts
101-24-240	Border Lighting CoveBrite Lighting Monochromatic Strip Fixtures	208/240VAC	24VAC/100Watts	1 x 100Watts
101-24-277	Border Lighting CoveBrite Lighting Monochromatic Strip Fixtures	277/480VAC	24VAC/100Watts	1 x 100Watts
601 Series				
601-12	Channel Letter Modules	120VAC	12VAC/60Watts	1 x 60Watts
601-12-240	Channel Letter Modules	208/240VAC	12VAC/60Watts	1 x 60Watts
601-12-277	Channel Letter Modules	277/480VAC	12VAC/60Watts	1 x 60Watts
601-24	Border Lighting CoveBrite Lighting Monochromatic Strip Fixtures	120VAC	24VAC/60Watts	1 x 60Watts
601-24-240	Border Lighting CoveBrite Lighting Monochromatic Strip Fixtures	208/240VAC	24VAC/60Watts	1 x 60Watts
601-24-277	Border Lighting CoveBrite Lighting Monochromatic Strip Fixtures	277/480VAC	24VAC/60Watts	1 x 60Watts



Series 101 and 601
Weight is 3.2 lbs (1.5 kg).

Note: The information presented here refers solely to the #2240 Series, #101 Series and the #601 Series of Power Supply Transformers, and only applies to their use for the following ColorGlo LED lighting products: Border Lighting, Channel Letter Modules, CoveBrite Lighting, and Monochromatic Strip Fixtures. For additional power supply information on these and other ColorGlo products, consult the ColorGlo website or contact your ColorGlo sales representative or authorized dealer.

For pricing and additional information, consult your ColorGlo Sales Representative or Authorized Dealer (for rep/dealer contact information, call J&J Electronics at 800.735.4553)



Manufactured by: J&J Electronics • 35 Hammond, Irvine, CA 92618 • 800.735.4553 • 949.455.4460 • www.colorgloledlighting.com

©2009 J&J Electronics, Inc. All rights reserved. ColorGlo and CoveBrite are trademarks of J&J Electronics, Inc. All other registered and trademarked brands and names are the property of their respective companies. **Rev. 050509**