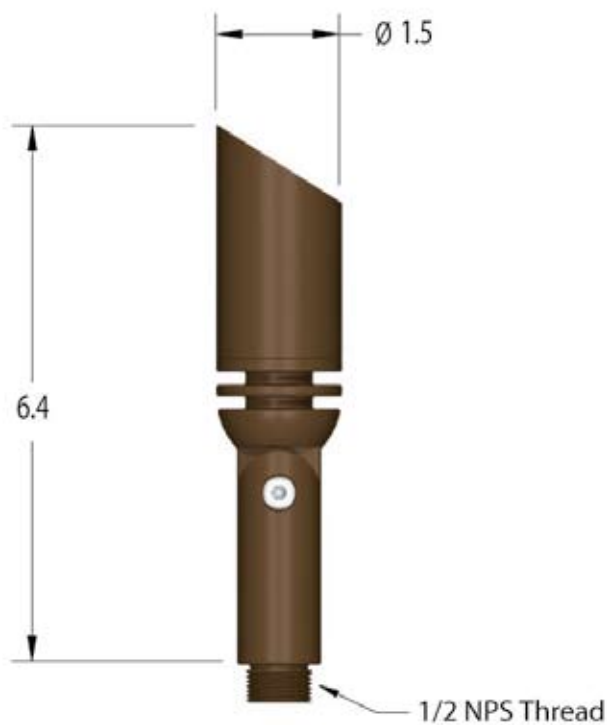




J & J ELECTRONICS, INC.

Spotlight Palm-65™

**A compact,
rugged
low energy
spotlight that
delivers great
performance
in all outdoor
environments**



Dimensions (inch)


DESCRIPTION

- The Palm-65 is a compact low energy LED spotlight. Patent pending C-socket™ LED lamp provides superior thermal cooling of LED light source.
- C-socket lamp enables tool-free replacement/upgrade of LED light source in a rugged package designed for harsh outdoor environments.
- LED technology delivers reliable low energy and maintenance lighting service. Engineered specifically for today's LED technology, the Palm-65's fixture design provides critical thermal transfer. Excellent heat removal ensures high performance and reliability of its LED light source.
- Other features include anti-wicking power lead, tool-free optic interchange and service upgrade capability.

SOCKET™
COOL LAMP TECHNOLOGY


PATENT PENDING

SPECIFICATIONS

Light Source	High-brightness LED, C-Socket Lamp Technology
LED Life (L70)	50,000 hours average*
Input Voltage	7 to 15 VAC/VDC
Power Consumption	3.7 Watts
Color Temperature	3000 CCT (K) Typical
CRI	80 Typical
Optic	Interchangeable TIR Lens
Material	6061-T6 Aluminum, Brass and Copper
Fasteners	316L Stainless Steel Hardware
Standard Mounting	PVC Post and ABS Cap
Operating Temperature	-31F to 122F (-35C to 50C)
Certification	UL1838 

*LED life is defined as the time to 70% lumen maintenance (L70)

Project
Fixture Type
Prepared By



ENERGY USAGE

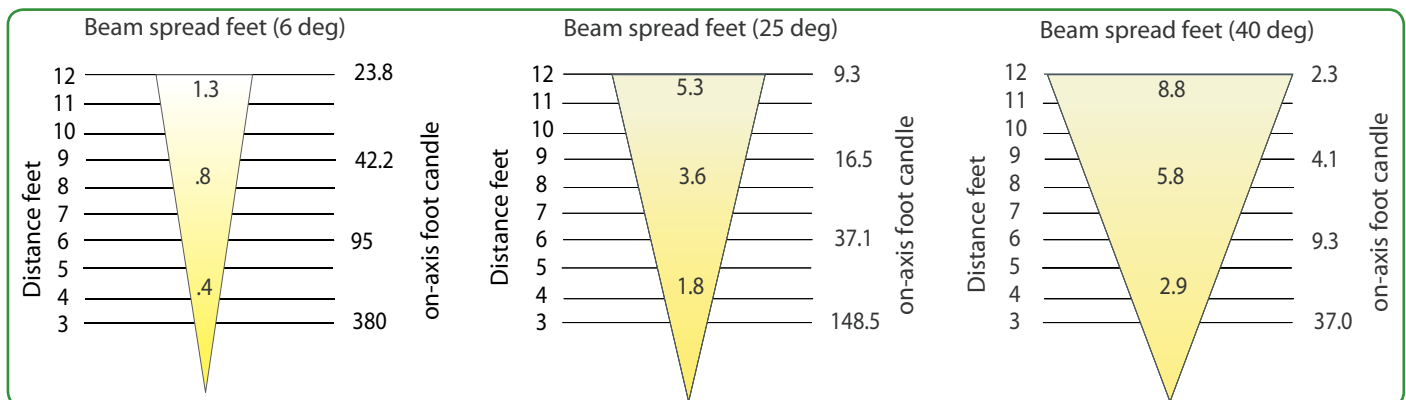
Palm-65 Uses 80% Less Energy
(vs. typical Halogen bulb)

16 Watt Savings

4W LED vs. 20W Halogen



BRIGHTNESS



ORDERING GUIDE

Prefix	Material	Optic	Finish
LCS	[AL] Aluminum [BR] Brass [CU] Copper	[N] Narrow 6° [M] Medium 25° [W] Wide 40°	[N] Natural [BK] Powder Coat Black [GR] Powder Coat Green [BN] Powder Coat Brown [CC] Clear Coat [C] Custom – Please consult our factory for custom finishes

