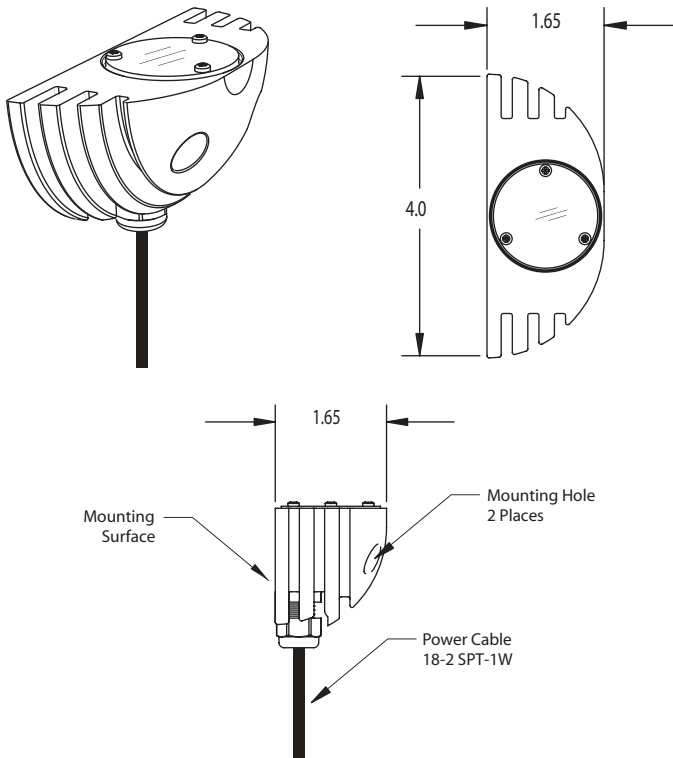




**Rugged,  
glass-free,  
single-piece  
construction  
makes this LED  
surface-mount  
uplight ideal for  
the toughest  
applications**



Dimensions (inches)


## DESCRIPTION

- The Paso-180 is a low energy LED surface mount fixture intended for uplighting, with its power cable exiting from the bottom. The Paso's rugged glass-free, single-piece construction make it ideal for vandal prone areas.
- Engineered specifically for today's LED technology, the Paso's fixture design provides critical thermal transfer.
- Excellent heat removal ensures high performance and reliability of its LED light source.
- Other features include anti-wicking power lead, and service upgrade capability.


# Surface Light

## Paso-180™

### SPECIFICATIONS

Light Source	High-brightness LED
LED Life (L70)	50,000 hours average*
Input Voltage	7 to 15 VAC/VDC
Power Consumption	3.7 Watts
Color Temperature	3000 CCT (K) Typical
CRI	80 Typical
Optic	Clear Acrylic, Impact and UV resistant
Material	6061-T6 Aluminum, Brass and Copper
Standard Mounting	Surface mount
Operating Temperature	-31F to 122F (-35C to 50C)
Certification	UL1838 

Project
Fixture Type
Prepared By



**ENERGY USAGE**

**Paso-180 Uses 80% Less Energy**  
(vs. typical Halogen bulb)

**4W LED** vs. **20W Halogen**



\*LED life is defined as the time to 70% lumen maintenance (L70)

### ORDERING GUIDE

Prefix	Housing	Post	Finish
<b>LWL180</b>	<input type="text"/>	<input type="text"/>	<input type="text"/>
	[AL] Aluminum [BR] Brass [CU] Copper	[W] White [R] Red [G] Green [B] Blue [A] Amber	[ N ] Natural [BK] Powder Coat Black [GR] Powder Coat Green [BN] Powder Coat Brown [CC] Clear Coat [ C ] Custom – Please consult our factory for custom finishes

