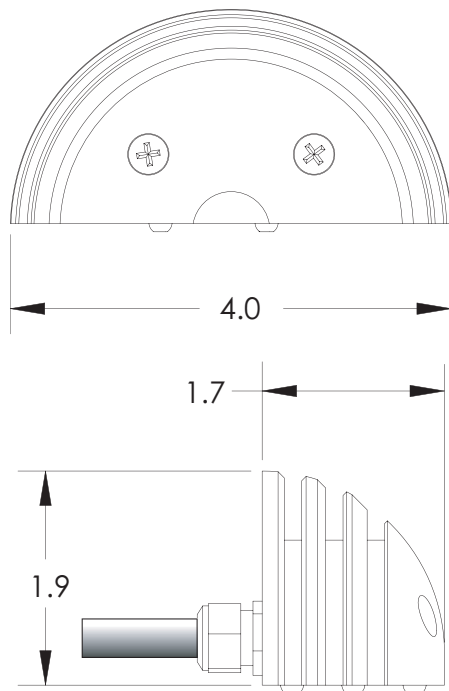




J & J ELECTRONICS, INC.

Surface Light Paso-1™

**One-piece,
glass-free,
construction
makes this
walkway or wall
light durable and
low-maintenance**



Dimensions (inch)


DESCRIPTION

- The Paso is a low energy LED surface mount fixture. The Paso-1 mounts directly to surface with no back box required.
- The Paso-1 can be mounted facing down for excellent walkway illumination or facing up for wall washing.
- High performance LED technology delivers reliable low maintenance service. The Paso's rugged glass-free, single-piece construction make it ideal for vandal-prone areas.
- Engineered specifically for today's LED technology the Paso's fixture design provides critical thermal transfer. Excellent heat removal ensures high performance and reliability of its LED light source. Other features include anti-wicking power lead, and service upgrade capability.


Surface Light

Paso-1™

SPECIFICATIONS

Light Source	High-brightness LED
LED Life (L70)	50,000 hours average*
Input Voltage	7 to 15 VAC/VDC
Power Consumption	3.7 Watts
Color Temperature	3000 CCT (K) Typical
CRI	80 Typical
Optic	Clear Acrylic, Impact and UV resistant
Material	6061-T6 Aluminum, Brass and Copper
Standard Mounting	Surface mount
Operating Temperature	-31F to 122F (-35C to 50C)
Certification	UL1838  3096671

Project
Fixture Type
Prepared By



ENERGY USAGE

Paso-1
Uses **80% Less Energy**
(vs. typical Halogen bulb)

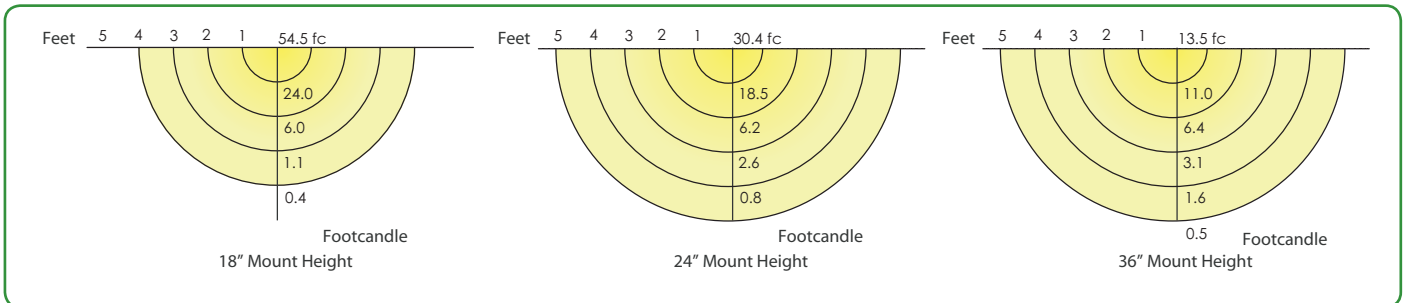
16 Watt Savings

4W LED vs 20W Halogen



*LED life is defined as the time to 70% lumen maintenance (L70)

BRIGHTNESS



ORDERING GUIDE

Prefix	Housing	Finish
LWL	[AL] Aluminum [BR] Brass [CU] Copper	[N] Natural [BK] Powder Coat Black [GR] Powder Coat Green [BN] Powder Coat Brown [CC] Clear Coat [C] Custom – Please consult our factory for custom finishes

