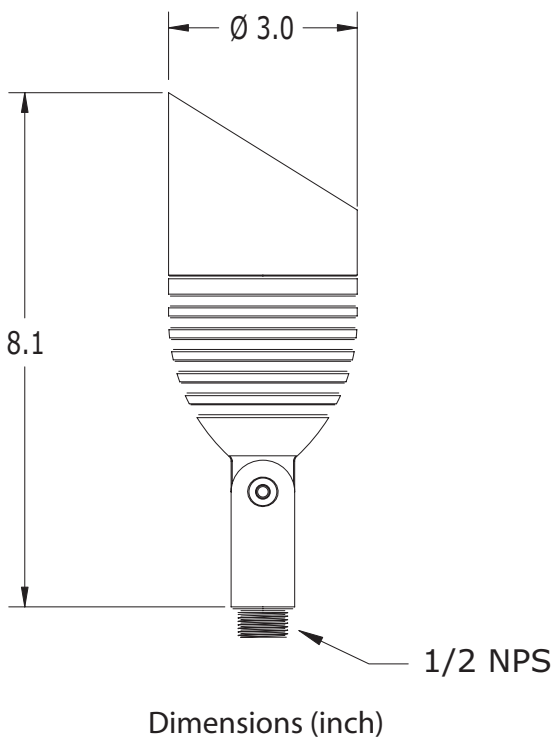





A high performance masterpiece. Reliable, eco-friendly spotlight has superior light output with low energy usage




DESCRIPTION

- The Phoenix is a high performance LED spotlight. Efficient LED array delivers superior light output and low energy usage. LED technology delivers reliable low maintenance service.
- The Phoenix is engineered specifically for today's LED technology, providing critical thermal management.
- Excellent heat removal ensures high performance and reliability of its LED light source.
- Other features include environmentally sealed control module, anti-wicking power lead, tool free optic interchange and service upgrade capability.

SPECIFICATIONS

Light Source	High-brightness LED
LED Life (L70)	50,000 hours average*
Input Voltage	11 to 15 VAC/VDC
Power Consumption	8.5 Watts
Color Temperature	3000 CCT (K) Typical
CRI	80 Typical
Optic	Optical Grade PMMA TIR Reflector
Material	6061-T6 Aluminum, Brass and Copper
Fasteners	316L Stainless Steel Hardware
Standard Mounting	PVC Post and ABS Cap
Operating Temperature	-31F to 122F (-35C to 50C)
Certification	UL1838  3096671

Project
Fixture Type
Prepared By



ENERGY USAGE

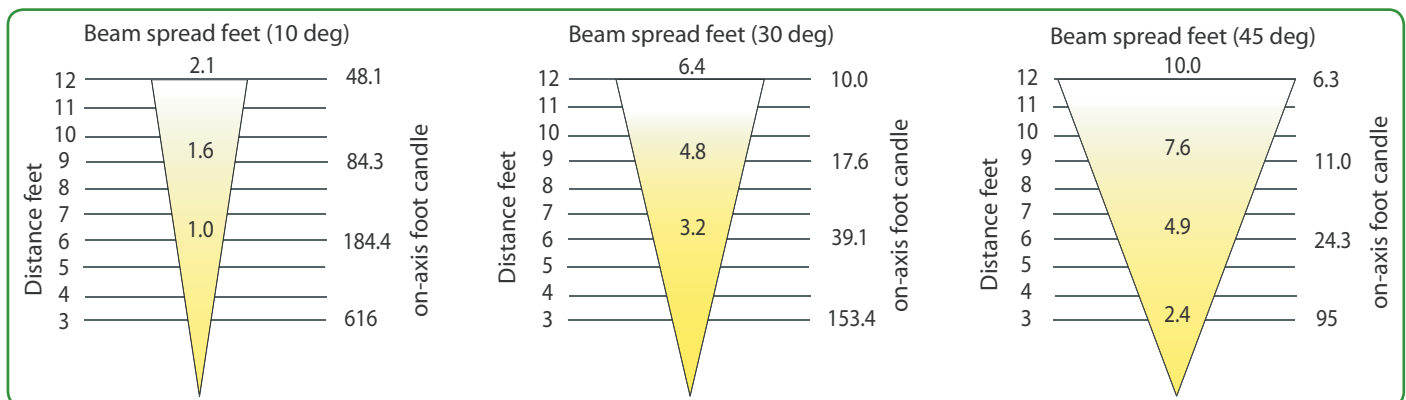
Phoenix Uses 74% Less Energy
(vs. typical Halogen bulb)

9W LED vs **35W Halogen**



*LED life is defined as the time to 70% lumen maintenance (L70)

BRIGHTNESS



ORDERING GUIDE

Prefix	Material	Optic	Finish
LHS	[AL] Aluminum [BR] Brass [CU] Copper	[N] Narrow 10° [M] Medium 30° [W] Wide 45°	[N] Natural [BK] Powder Coat Black [GR] Powder Coat Green [BN] Powder Coat Brown [CC] Clear Coat [C] Custom – Please consult our factory for custom finishes

