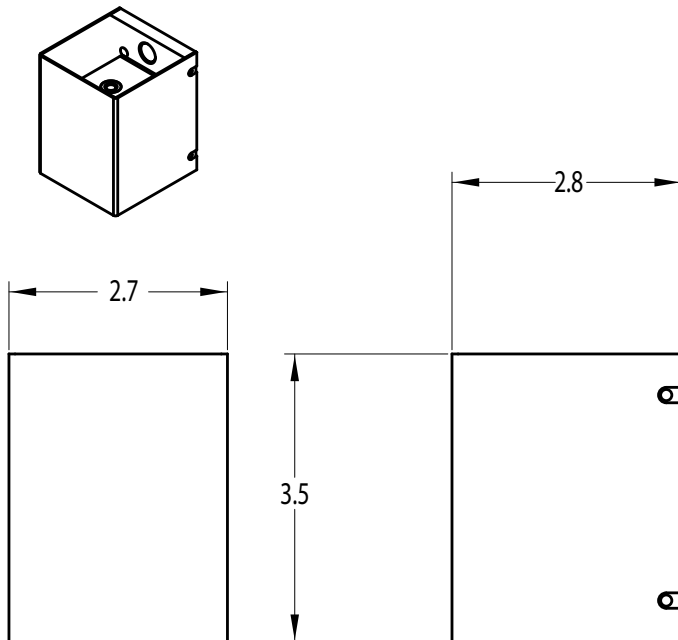




J & J ELECTRONICS, INC.

**Downlight**  
**TL™**

**Provides  
the perfect  
illumination  
for any trellis,  
arbor or patio;  
a bright, eco-  
friendly LED  
downlight**




## DESCRIPTION

- The TL is a compact low energy outdoor LED downlight. Suitable for surface mount outdoor trellis, arbor and patio illumination.
- Patent pending socket design allows for tool-free replacement/upgrade of LED light source in a rugged package designed for harsh outdoor environments. LED technology delivers reliable low energy and maintenance lighting service.
- Engineered specifically for today's LED technology, the TL's fixture design provides critical thermal transfer without the need for external cooling features. Excellent heat removal ensures high performance and reliability of its LED light source.
- Other features include anti-wicking power lead, tool-free optic interchange and service upgrade capability.

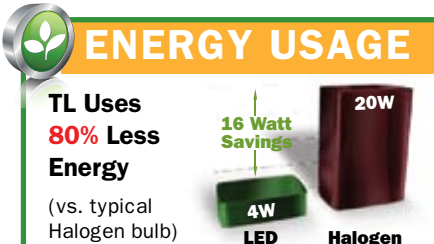
**SOCKET™**  
COOL LAMP TECHNOLOGY

PATENT PENDING

## SPECIFICATIONS

Light Source	High-brightness LED
LED Life (L70)	50,000 hours average*
Input Voltage	7 to 15 VAC/VDC
Power Consumption	3.7 Watts
Color Temperature	3000 CCT (K) Typical
CRI	80 Typical
Optic	Optical Grade PMMA TIR Reflector
Material	6061-T6 Aluminum, Brass and Copper
Fasteners	Stainless Steel Hardware
Standard Mounting	Surface mount
Operating Temperature	-31F to 122F (-35C to 50C)
Certification	UL1838  3096671

Project
Fixture Type
Prepared By



**ENERGY USAGE**

**TL Uses 80% Less Energy**  
(vs. typical Halogen bulb)

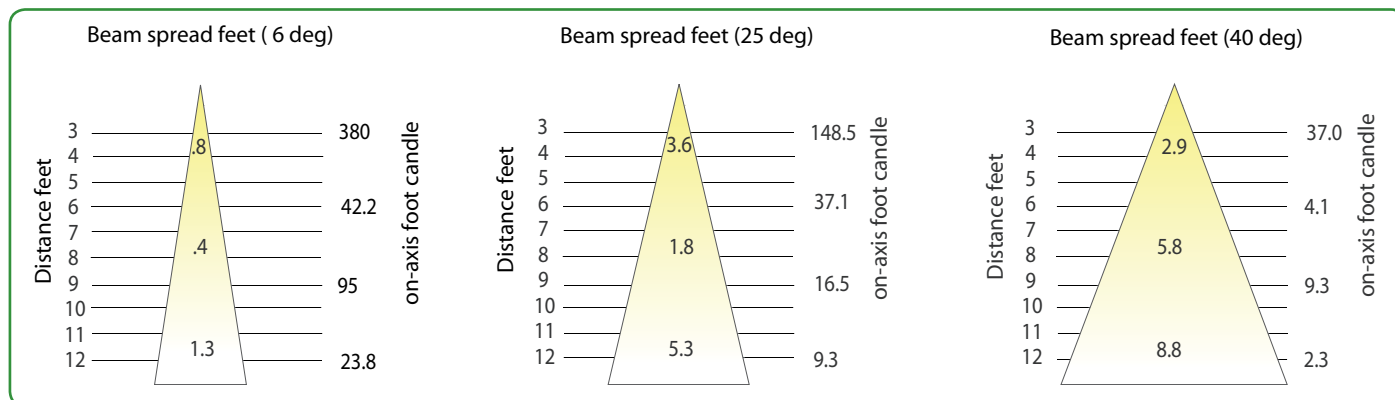
16 Watt Savings

4W LED vs. 20W Halogen



\*LED life is defined as the time to 70% lumen maintenance (L70)

## BRIGHTNESS



## ORDERING GUIDE

Prefix	Material	Optic	Finish
LTL	[AL] Aluminum [BR] Brass [CU] Copper	[N] Narrow 6° [M] Medium 25° [W] Wide 40° [WF] Wide Flood 70°	[N] Natural [BK] Powder Coat Black [GR] Powder Coat Green [BN] Powder Coat Brown [WT] Powder Coat White [CC] Clear Coat [C] Custom – Please consult our factory for custom finishes

