

POWERPLUS™ 1200 WWWA LED LIGHT FIXTURE

The POWERPLUS 1200 WWWA LED fixture is ideal for interior and exterior lighting applications where a full spectrum of user adjustable white light color temperature control is required. It is designed for use in architectural, entertainment, retail, museum and signage display applications. The patent-pending, non-pulsed driver provides flicker free operation for film and video shooting.

Product Summary

The POWERPLUS 1200 WWWA LED fixture is UL 48 listed for wet or dry location use. It is available with either 14° or 28° LED fixed optics. Medium and wide secondary lenses are available as accessories. POWERPLUS 1200 WWWA LED fixtures use 9 amber, 6 warm white, 6 medium and 6 cool white LEDs to produce 1489 IES total lumen output (tested with 28° lens). To ensure long life span and to minimize heat output, the LEDs drive current operates at less than manufacturer specifications. LED control uses 255 steps per color for linear curve dimming. The LED driver is a patent pending, closed loop, high efficiency analog methodology. By partnering with the best-quality LED manufacturer and maintaining tight controls on quality, POWERPLUS meets exacting performance standards.

Power & Control

The POWERPLUS 1200 WWWA operates using conventional line voltage (88- 264VAC). Control is accomplished using standard DMX 512 via 5 pin IP64 XLR connectors with an output cable for daisy chain configurations. DMX addressing and termination is user selectable with an onboard dip switch panel.

Orientation & Mounting

The POWERPLUS 1200 WWWA is capable of 2 axis orientation of 340° head rotation and 130° yoke to base rotation. It features integrated mounting holes for secure mounting in any orientation. A theatrical style pipe clamp adapter is available as an accessory for stage and studio applications. It features integrated mounting holes for secure mounting in any orientation.

COLOR TEMPERATURE ADJUSTABLE WHITE LIGHT CAPABILITIES IN A CONVENTIONAL LINE VOLTAGE AND DMX DIRECT CONNECT FIXTURE

KEY FEATURES:

- 4.3 billion combinations of white tones
- Direct connect line voltage
- Direct connect DMX in and out
- 255 step linear dimming, per color
- UL 48 Listed
- Patent-pending, non-pulsed driver provides flicker-free operation for film and video shooting.
- Small, lightweight and attractive form factor

IDEAL FOR WET OR DRY LOCATIONS:

- Architectural
- Entertainment
- Retail Display
- Exhibit & Display
- Signage



Standard



Touring (shown with accessories)



POWERPLUS™ 1200 WWWW LED LIGHT FIXTURE

PRODUCT SPECIFICATIONS

Size	9.9"(251mm) with knobs 11.7"(297mm) x 4.6"(117mm) x 8.2"(208mm)
Input Voltage	88-264VAC 50/60 Hz
Input Wattage	Maximum 60W
IES Tested Lumen Output	1489 Lumen, with 28° Lens
Input Power Connect	Standard UL SJTW listed cord
LED	9 Amber, 6 Warm White, 6 Medium White, 6 Cool White (CREE XRE)
Control Input	5 pin XLR
Control Signal Input	USITT 1990 DMX 512
Fixture Listing	UL 48
Internal Power Supply Listing	UL, C-UL, TUV, CB, CE
Internal Power Supply	24VDC
PCB Flame Rating	UL 94-VO (Aluminum Substrate)
Housing	Extruded aluminum head and base
Operating Temperature	-40°C / -40°F – 50°C / 122°F
Fixture Finish	Powder coated, white or black – fine texture finish
Weight	10 lbs. (4.5 KG)
Operational Orientation	Full-range user-selectable orientation
Rotation	2 Axis 340° & 130°

ACCESSORIES

Controllers

SunLite - USB-DMX interface
(includes power supply and DMX cable)

Rerun Playback Controller

Rerun 10 Scene Controller

Secondary Lenses

Solite™ Frosted Lens

Prismatic Wide Flood Lens

Skytex™ Wide Horizontal Lens

Snoot/Egg Crate Combo

Hanging Fixture Mounting Accessory

Pipe Clamp Adapter Plate

Pipe Clamp w/safety cable

NOTE: Consult website for additional accessories to the PowerPlus 1200, as they become available.

DMX CABLE EXTENSIONS

50 ft. (15.2m) extension

Wet location rated

25 ft. (7.62m) extension

Wet location rated

10 ft. (3.05m) extension

Wet location rated

5 ft. (1.52m) extension

Wet location rated

Part #

LLS-SL-1300

RERUN-A

PRE10-A

LLS-PP1200-LF

LLS-PP1200-LWF

LLS-PP1200-LWH

LLS-PP1200-SC

LLS-PP1200-PCAP

LLS-PP1200-PCHSC

DMX-550

DMX-550-W

DMX-525

DMX-525-W

DMX-510

DMX-510-W

DMX-505

DMX-505-W

BUILDING A PART NUMBER

INTERIOR & EXTERIOR ASSEMBLIES

Part # LLS-PP1200-WA-(optic angle)-(style)

14° no suffix for
std white unit

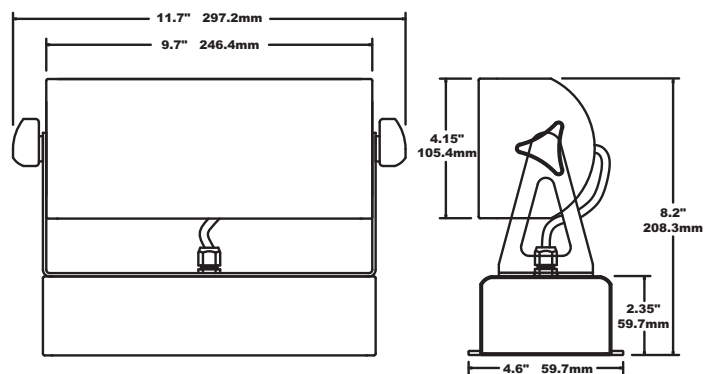
28° B

Example 1: LLS-PP1200-WA-14

WWVA PowerPlus 1200 fixture with 14° optics in white standard style

Example 2: LLS-PP1200-WA-28-B

WWVA PowerPlus 1200 fixture with 28° optics in black touring unit style



For pricing and additional information, consult your ColorGlo Sales Representative or Authorized Dealer (for rep/dealer contact information, call J&J Electronics at 800.735.4553)



Manufactured by: J&J Electronics • 35 Hammond, Irvine, CA 92618 USA • 800.735.4553 • 949.455.4460 • www.colorgloledlighting.com

©2007 J&J Electronics, Inc. All rights reserved. ColorGlo and PowerPlus are trademarks of J&J Electronics, Inc. All other registered and trademarked brands and names are the property of their respective companies. Rev. 052508